

Please note that the data given here has been taken from the online catalog. For comprehensive information and data, please refer to the user documentation at <http://www.download.phoenixcontact.com>. The General Terms and Conditions of Use apply to Internet downloads.

► Extract from the online catalog

Plug component, nominal current: 12 A, rated voltage: 250 V, pitch: 5.0 mm, no. of positions: 2, type of connection: Screw connection



The figure shows a 10-position version of the product

Order No.	1786831
Ord designation	MSTB 2,5/ 2-STF
EAN	4017918042790
Pack	50 Pcs.
Customs tariff	85366990
Weight/Piece	0.00462 KG
Catalog page information	Page 175 (CC-2007)

► Product notes

WEEE/RoHS-compliant since: 01/01/2003



IMPORTANT : This date is valid for Customers in Germany only. Date Format is MM/DD/YYYY. Please contact your local in-country Phoenix Contact location or designated business partner for a Logistics Compliant date in your area. In order to guarantee delivery of RoHS-Compliant product, please purchase Phoenix Contact parts from authorized Phoenix Contact representatives and distributors.

MSTB 2,5/ 2-STF



▶ **Technical data**

Dimensions / positions

Pitch	5 mm
Dimension a	5 mm
Number of positions	2
Screw thread	M 3
Tightening torque, min	0.5 Nm

Technical data

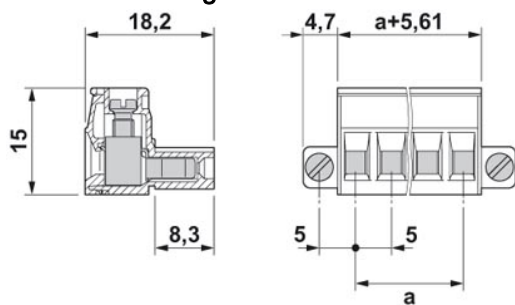
Insulating material group	I
Rated surge voltage (III/3)	4 kV
Rated surge voltage (III/2)	4 kV
Rated surge voltage (II/2)	4 kV
Rated voltage (III/2)	320 V
Rated voltage (II/2)	630 V
Connection in acc. with standard	EN-VDE
Nominal current I_N	12 A
Nominal voltage U_N	250 V
Nominal cross section	2.5 mm ²
Maximum load current	12 A (with 2.5 mm ² conductor cross section)
Insulating material	PA
Inflammability class acc. to UL 94	V0
Internal cylindrical gage	A3
Stripping length	7 mm

Connection data

Conductor cross section solid min.	0.2 mm ²
Conductor cross section solid max.	2.5 mm ²
Conductor cross section stranded min.	0.2 mm ²
Conductor cross section stranded max.	2.5 mm ²
Conductor cross section stranded, with ferrule without plastic sleeve min.	0.25 mm ²
Conductor cross section stranded, with ferrule without plastic sleeve max.	2.5 mm ²
Conductor cross section stranded, with ferrule with plastic sleeve min.	0.25 mm ²
Conductor cross section stranded, with ferrule with plastic sleeve max.	2.5 mm ²
Conductor cross section AWG/kcmil min.	24
Conductor cross section AWG/kcmil max	12
2 conductors with same cross section, solid min.	0.2 mm ²
2 conductors with same cross section, solid max.	1 mm ²
2 conductors with same cross section, stranded min.	0.2 mm ²
2 conductors with same cross section, stranded max.	1.5 mm ²
2 conductors with same cross section, stranded, ferrules without plastic sleeve, min.	0.25 mm ²
2 conductors with same cross section, stranded, ferrules without plastic sleeve, max.	1 mm ²
2 conductors with same cross section, stranded, TWIN ferrules with plastic sleeve, min.	0.5 mm ²
2 conductors with same cross section, stranded, TWIN ferrules with plastic sleeve, max.	1.5 mm ²

► Drawings

Dimensioned drawing



► Accessories

Item	Designation	Description
General		
1733169	EBP 2- 5	Insertion bridge, fully insulated, for plug connectors with 5.0 or 5.08 mm pitch, no. of positions: 2
Marking		
0804183	SK 5/3,8:FORTL.ZAHLEN	Marker card, printed horizontally, self-adhesive, 12 identical decades marked 1-10, 11-20 etc. up to 91-(99)100, sufficient for 120 terminal blocks
Plug/Adapter		
1734634	CP-MSTB	Coding section, is inserted into the slot on the plug or inverted header, red insulating material
Tools		
1205053	SZS 0,6X3,5	Screwdriver, bladed, matches all screw terminal blocks up to 4.0 mm ² connection cross section, blade: 0.6 x 3.5 mm, without VDE approval

► Additional products

Item	Designation	Description
General		
0710028	DFK-MSTB 2,5/ 2-GF	Header, nominal current: 12 A, rated voltage: 320 V, pitch: 5.0 mm, no. of positions: 2, mounting: Direct mounting
1900073	EMSTB 2,5/ 2-GF	Header, nominal current: 12 A, rated voltage: 250 V, pitch: 5.0 mm, no. of positions: 2, mounting: Press in
1914055	EMSTBV 2,5/ 2-GF	Header, nominal current: 12 A, rated voltage: 200 V, pitch: 5.0 mm, no. of positions: 2, mounting: press in
1762046	MDSTB 2,5/ 2-G	Header, nominal current: 10 A, rated voltage: 250 V, pitch: 5.0 mm, no. of positions: 2, mounting: Soldering
1846690	MDSTB 2,5/ 2-GF	Header, nominal current: 10 A, rated voltage: 250 V, pitch: 5.0 mm, no. of positions: 2, mounting: Soldering
1763032	MDSTBV 2,5/ 2-G	Header, nominal current: 10 A, rated voltage: 250 V, pitch: 5.0 mm, no. of positions: 2, mounting: Soldering
1846085	MDSTBV 2,5/ 2-GF	Header, nominal current: 10 A, rated voltage: 250 V, pitch: 5.0 mm, no. of positions: 2, mounting: Soldering
1776692	MSTB 2,5/ 2-GF	Header, nominal current: 12 A, rated voltage: 250 V, pitch: 5.0 mm, no. of positions: 2, mounting: Soldering
1776883	MSTBV 2,5/ 2-GF	Header, nominal current: 12 A, rated voltage: 250 V, pitch: 5.0 mm, no. of positions: 2, mounting: Soldering

► Address

PHOENIX CONTACT GmbH & Co. KG
Flachsmarktstr. 8
32825 Blomberg
Germany
Phone +49 5235 3 00
Fax +49 5235 3 41200
<http://www.phoenixcontact.de>
Phoenix Contact
Technical modifications reserved;